

718 series Angular Contact Ball Bearings

Structural features: TEDIN precision bearing series based on ISO standard. Rings' material adopts high purity (electroslag remelting) bearing steel, with special heat treatment process, cold treatment technology and material modification technology, the fatigue life of this series bearings is greatly improved.

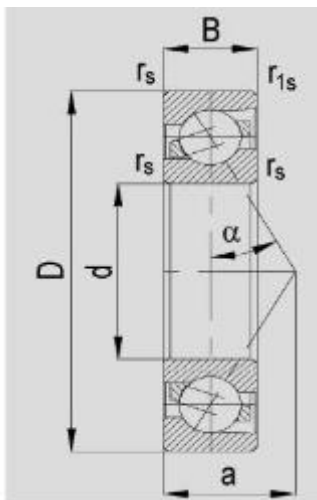
Contact Angle: 15° and 25°; Paired assembled bearings is capable to bearing both axial and radial load or combined load.

Cage: The outer ring-guided phenolic resin cloth rubber cage and the roller-guided nylon cage can be selected according to different uses.

to select the Bakelite cage at $500000 \leq DmN \leq 1000000$ under medium and high speed working conditions;

Nylon cage or Bakelite cage can be used in medium and low speed;

Application: This kind of bearing has a wide range of application. It is mainly used for high speed axial positioning and radial positioning, high precision rotation and other working conditions. For example: CNC lathe spindle, all kinds of grinding machine workpiece shaft, grinding wheel spindle, photovoltaic slicer, vacuum pump, fan, precision transmission machinery and so on.



Type Number	Dimensions					Basic Load Rating		Weight	Installation Size				Limiting Speed	
	mm					kN			kg	mm				r/min
	d	D	B	Tmin	hmin	Cr	Cor	da		Da	Ta	ra1	Grease	Oil
71820	100	128	13	1	0.3	21.2	27.5	0.2	104.6	120.4	1	1	8500	13000
71822	110	140	16	1	0.3	31.9	40.5	0.51	114.6	135.4	1	1	8000	13000
71824	120	150	16	1	0.3	33.2	45	0.55	124.8	145.4	1	1	7500	12000



LUOYANG TEDIN BEARING CO., LTD.

Tel: 0086-136-63889399;

Email: jenny.zhao@tedin-bearing.com;

Homepage: www.tedin-bearing.com;

71826	130	165	18	1.1	0.6	39	53	0.7	136	159		1	7000	11000
71828	140	175	18	1.1	0.6	44.9	62	0.8	146	169	1	1	6300	10000
71830	150	190	20	1.1	0.6	53.5	74.5	1.32	156	184	1	1	6300	9500
71832	160	200	20	1.1	0.6	54	78	1.25	166	194	1	1	5600	8500
71834	170	215	22	1.1	0.6	80	110	2	175	210	1	1	5600	8500
71840	200	250	24	1.5	1	90	130	2.5	208.5	241.5	1.5	1	4300	6000
71844	220	270	24	1.5	1	151	263	2.5	228.5	261.5	1.5	1	3800	5600
71848	240	300	28	2	1	128	175	4.1	250	290	2	1	3200	4800
71852	260	320	28	2	1	127	190	4.85	270	310	2	1	1400	1900
71856	280	350	33	2	1	140	216	7.2	290	340	2	1	1200	1700
71864	320	400	38	2.1	1.1	190	290	10	332	388	2	1	800	1000
71872	340	440	38	2.1	1.1	219	345	11.1	372	428	2	1		
71876	360	480	46	2.1	1.1	261.9	450	18	392	468	2	1	1700	2400
71880	380	500	46	2.1	1.1	292	501	19.5	412	488	2	1		
71884	420	520	46	2.1	1.1	294	513	20.4	432	508	2	1	750	1000
71888	440	540	46	2.1	1.1	301	540	21.1	452	528	2	1	750	1000
71892	460	580	56	3	3	334	689	34.5	474	566	2.5	1	850	1000
71896	480	600	56	3	1.1	415	820	35.5	494	686	2.5	1	850	1200
718/500	500	620	56	3	1.1	351	765	38	514	606	2.5	1	670	900
718/530	530	650	56	3	1.1	369	837	39.5	544	636	2.5	1	1100	1600
718/560	560	680	56	3	1.1	341	837	41.5	574	666	2.5	1	600	800
718/600	600	730	60	3	1.1	421	1044	47	614	766	2.5	1	560	750
718/630	630	780	69	4	1.5	518	1160	69.7	648	715	3.1	1.5		
718/670	670	820	69	4	1.5	498	1161	77	688	802	3	1.5	850	1200
718/710	710	870	74	4	1.5	546	1467	93.5	725	855	3	1	800	1100
718/750	750	920	78	5	2	585	1620	110	768	902	4	2	400	530
718/850	850	1030	82	5	2	620	1674	140	868	1012	4	2	340	450

For more information, please contact [Tedin's](#) technical center.